

# COMMERCIAL DRY-LITTER PIGGERY DESIGN

SHEET NO:  
1

DATE:	REVISION:
8/23/10	B.R.

DRAWN BY:	B.R.
CHECKED BY:	
PROJECT MGR:	



PROJECT:  
ENGINEERING DESIGNS FUNDED BY  
ANA GRANT "PIGS IN PARADISE"

SHEET TITLE:  
TITLE SHEET

CLIENT:  
SOSENE ASIFOA

SCALE:

AS SHOWN

CASE NO.

DATE:

1-14-2009

SHEET NO.

1 OF 6

CLIENT: \_\_\_\_\_

VILLAGE: \_\_\_\_\_

This dry litter piggery design has been approved by the American Samoa Environmental Protection Agency on \_\_\_\_\_ (Date)

### GENERAL CONDITIONS

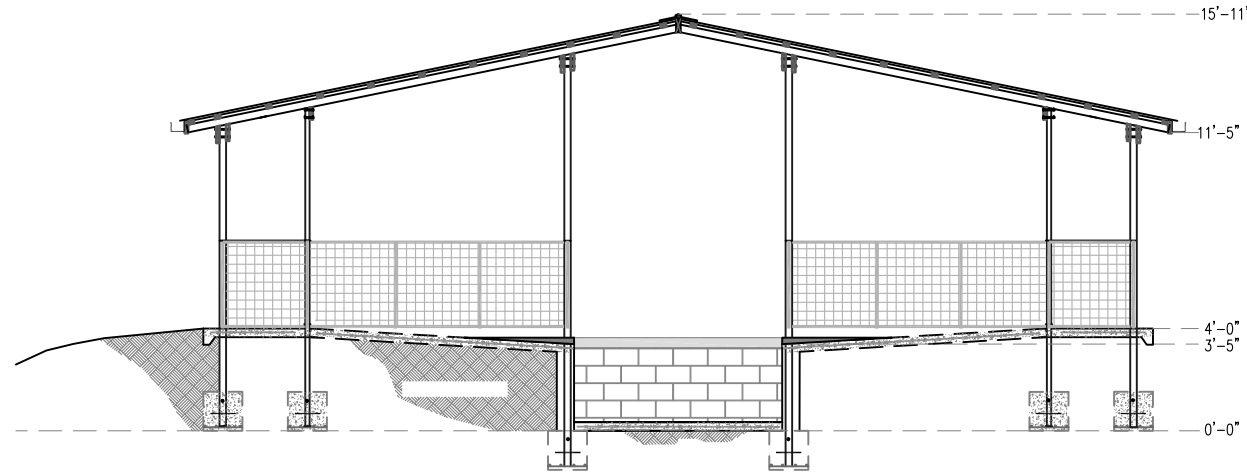
- AS-EPA must be notified at least one week before construction activity begins. A pre-construction meeting on-site with AS-EPA is required before any construction starts. To schedule a pre-construction meeting, contact the AS-EPA Compliance Assistance Officer at 633-2304.
- AS-EPA must be notified when construction is complete. A final walk-thru inspection must be conducted by AS-EPA before pigs can be placed in the new piggery.

### DRY LITTER DESIGN NOTES

- All pen floors are to be sloped at 6%. In other words for every 10 feet in length a pen floor must slope at least 7 inches in the direction indicated on the construction drawings.
- The Roof must extend at least 2-feet beyond all pig pens, and dry litter alleys.
- Rain gutters must be installed where indicated on construction drawings.
- New hog panel walls must be reinforced as indicated on construction drawings. New concrete slabs must be a minimum of 4 inches in thickness reinforced with mesh wire.
- All concrete must be 3000 psi.
- Concrete columns can be used instead of galvanized 3-inch tubing as indicated on construction drawings.
- It is recommended that all galvanized members be painted with anti-corrosive paint.
- Water nipples should be attached to hog panels 2-feet from the dry litter alley.

### DRY LITTER OPERATIONAL NOTES

- This is a dry system. Water must never be used to clean pens.
- A carbon source such as wood chips must be added to each pen on a regular basis to absorb moisture and control odors.
- Waste must be removed periodically from the dry litter alley and placed into one of the composting storage bays.
- Composting waste must be turned or rotated between the composting storage bays on a weekly basis to allow for proper aeration.
- Compost bays must be kept dry.
- All pens must use a water nipple to supply water to the animals.



### DRAWING LIST

Sheet 1: Title Sheet

Sheet 2: D.L. Piggery Floor Plan

Sheet 3: D.L. Piggery Building Elevations

Sheet 4: Compost Bay Building Elevations

Sheet 5: D.L. Piggery Roofing Plan

Sheet 5: Details

### NRCS STANDARDS & SPECIFICATIONS NOTES






Construction shall comply with the American Samoa EFOTG website ([http://efotg.nrcs.usda.gov/efotg\\_locator.aspx?map=PB](http://efotg.nrcs.usda.gov/efotg_locator.aspx?map=PB)) standard and specifications for each of the following practices:

- Waste Treatment, Practice 629
- Composting Facility, Practice 317
- Manure Transfer, Practice 634
- Roof Runoff Structure, Practice 558
- Heavy Use Area Protection, Practice 561

SITE COORDINATES

\_\_\_\_\_

**LEGEND**

-  HOG PANNEL WALL
-  EDGE OF ROOF
-  3"x3" GALV. SQ TUBING
-  4"x4" GALV. SQ TUBING
-  WATER NIPPLE W/TEE ON HOG PANNEL (SEE DETAIL 3, SHEET 6)

SHEET NO:  
**3**

DATE:	REVISION:

DRAWN BY: B.R.  
CHECKED BY: .  
PROJECT MGR:



PROJECT:  
ENGINEERING DESIGNS FUNDED BY  
ANA GRANT "PIGS IN PARADISE"

SHEET TITLE:  
**DRY LITTER PIGGERY  
FLOOR PLAN**

CLIENT:

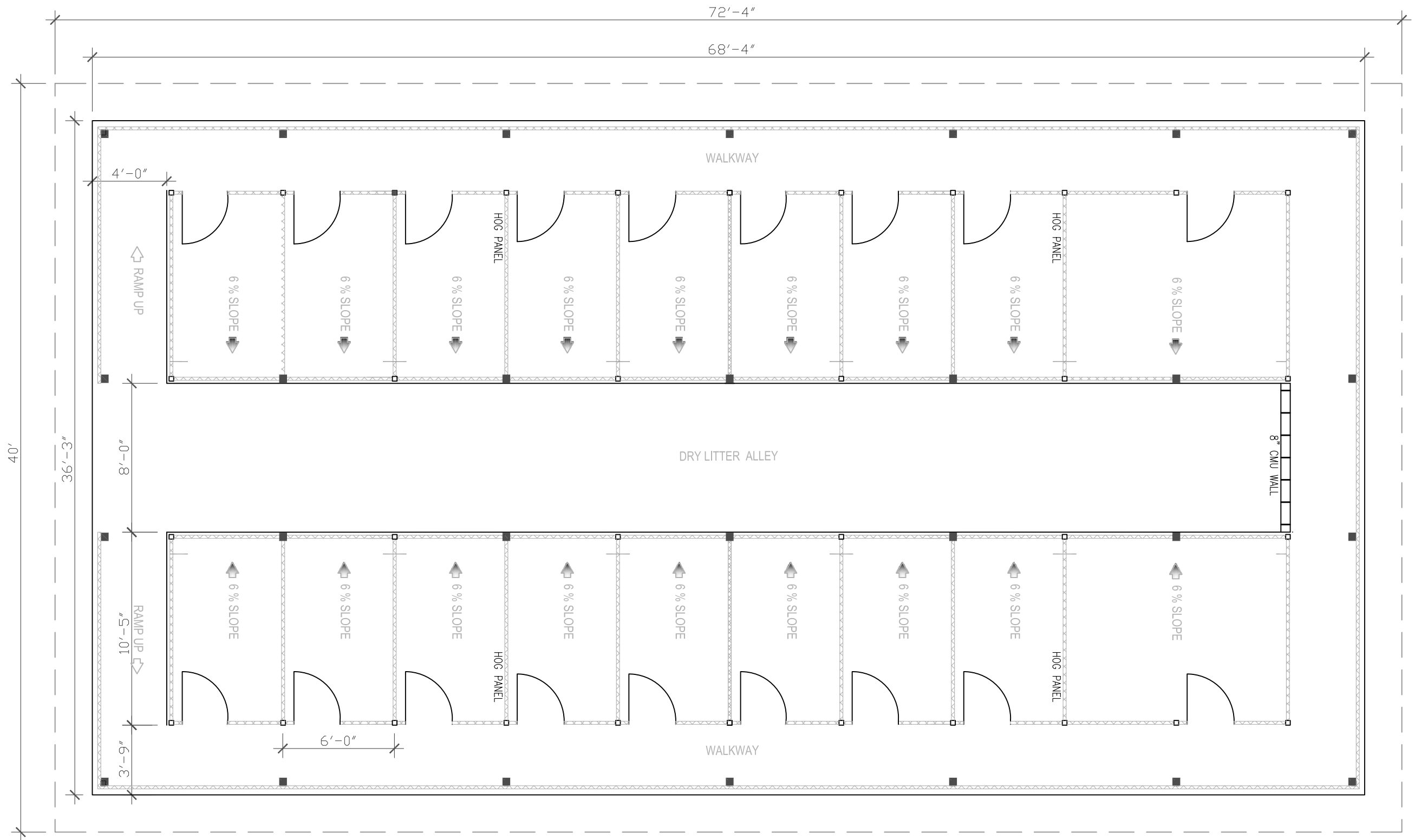
SCALE:  
AS SHOWN

FILE NO.

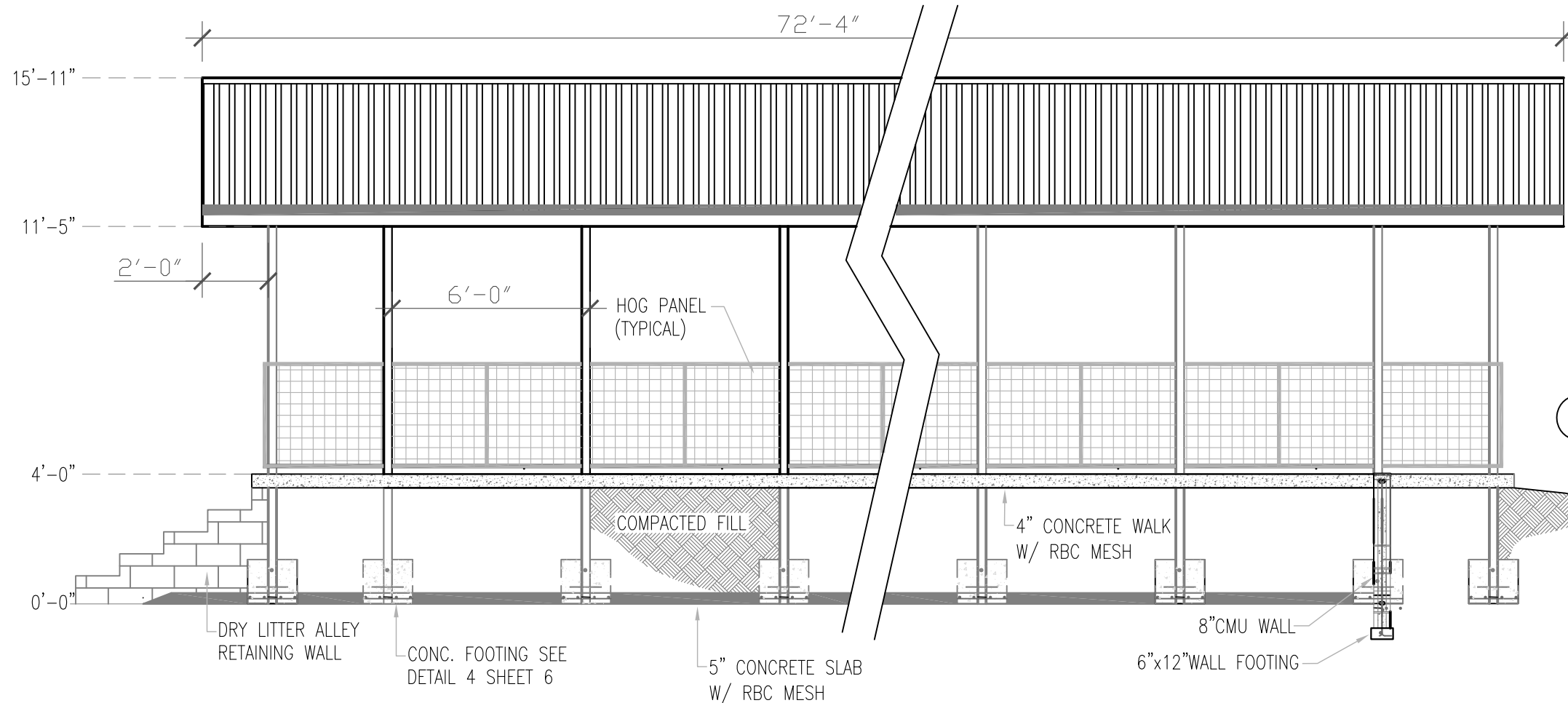
DATE:

SHEET NO.

**2 OF 6**

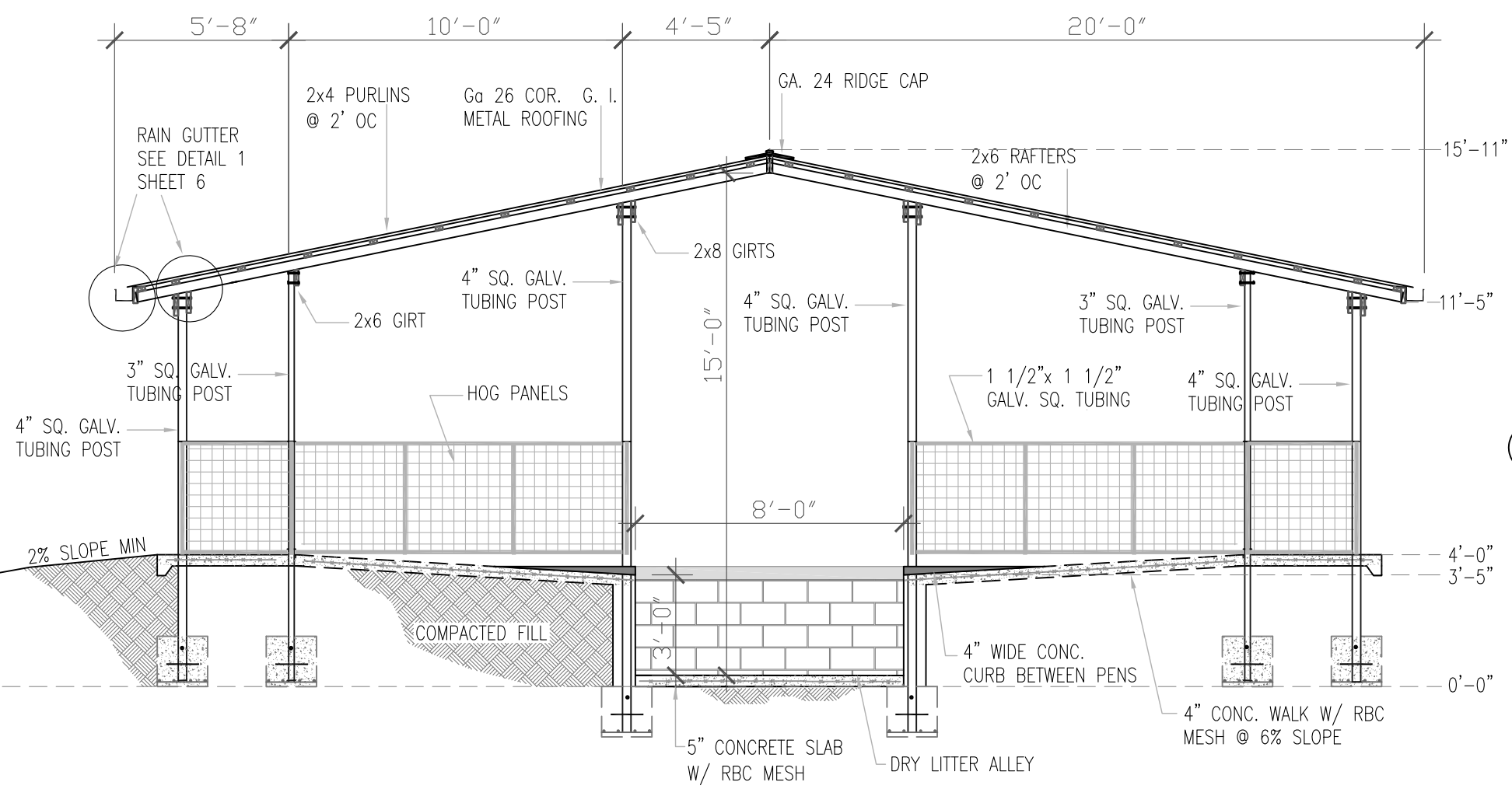


**1 FLOOR PLAN**  
Scale: NTS



NOTES:  
 1. ALL METAL ROOFING MATERIAL SHOULD BE 26 GAUGE (TRIM DECK, COLOR BOND, OR APPROVED EQUIVALENT).  
 2. ALL METAL ROOFING SHOULD BE FASTENED TO PURLINS BY METAL ROOF SCREWS W/ SEALING WASHER.

2 FRONT VIEW  
NTS



1 RIGHT SIDE VIEW  
NTS

SHEET NO:  
4

DATE	REVISION
9/5/08	1

DRAWN BY: B.R.  
 CHECKED BY: B.R.  
 PROJECT MGR:



PROJECT:  
 ENGINEERING DESIGNS FUNDED BY  
 ANA GRANT "PIGS IN PARADISE"

SHEET TITLE:  
**D.L. PIGGERY BUILDING  
 ELEVATIONS**

CLIENT:

SCALE:  
 AS SHOWN  
 FILE NO.

DATE:  
 SHEET NO.

DATE:	REVISION:

DRAWN BY:	B.R.
CHECKED BY:	B.R.
PROJECT MGR:	



PROJECT:  
ENGINEERING DESIGNS FUNDED BY  
ANA GRANT "PIGS IN PARADISE"

SHEET TITLE:  
**COMPOSTING BAYS  
BUILDING ELEVATIONS**

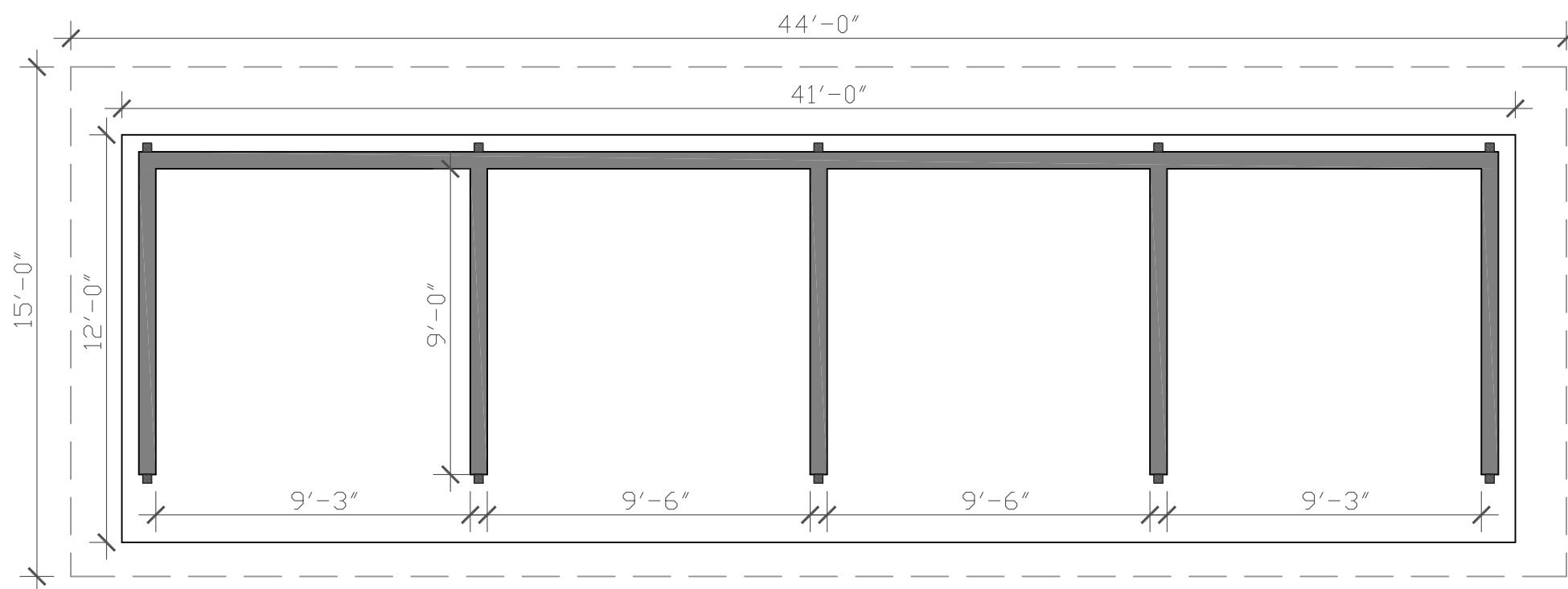
CLIENT:

SCALE:  
AS SHOWN

CASE NO.

DATE:

SHEET NO.

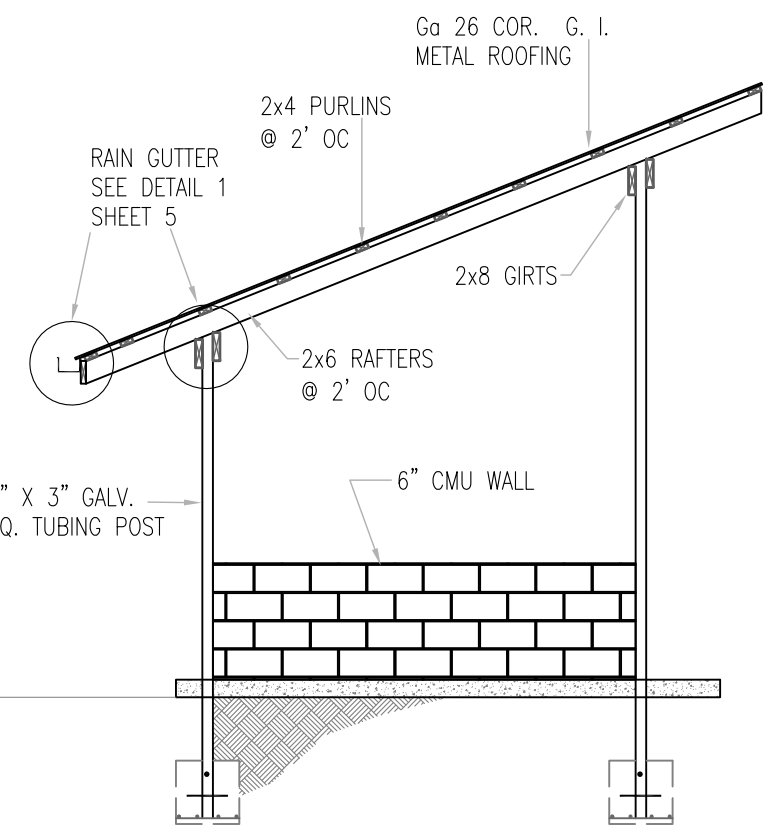
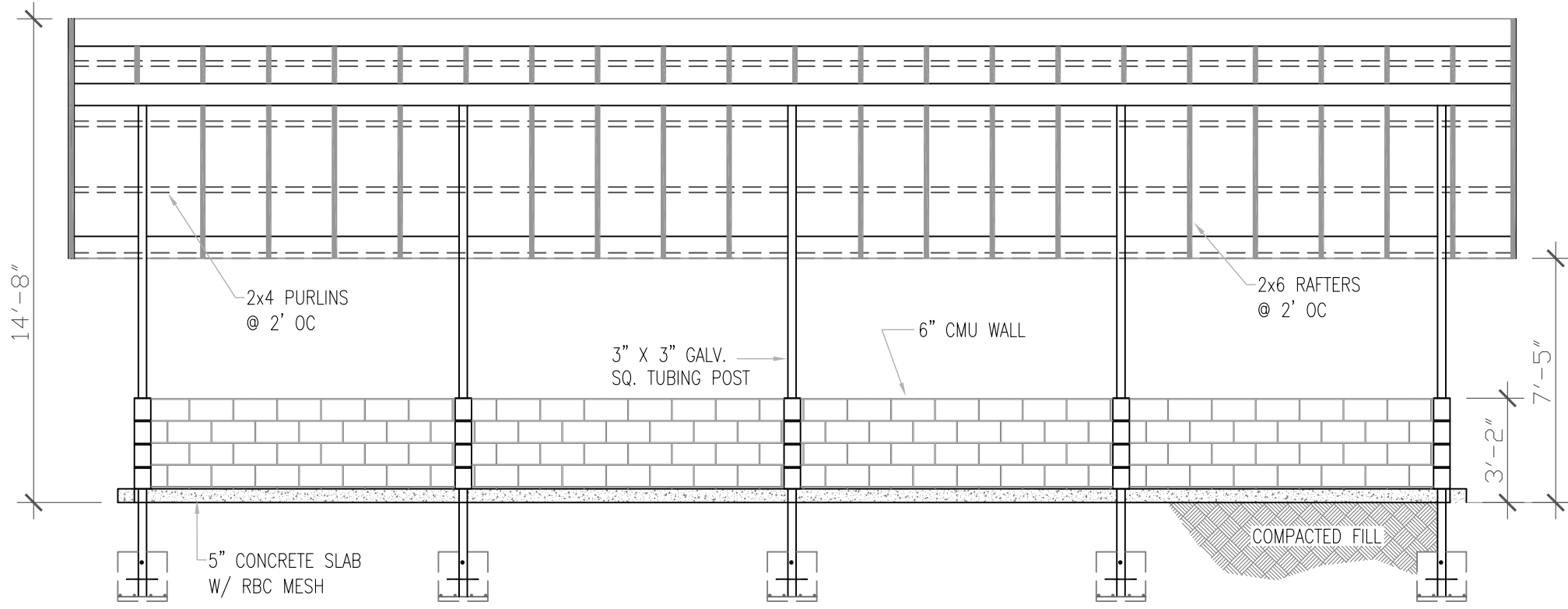


**LEGEND**

- EDGE OF ROOF
- ▬ 6" CMU WALL
- 3"x3" GALV. SQ TUBING

- NOTES:
1. ALL METAL ROOFING MATERIAL SHOULD BE 26 GAUGE (TRIM DECK, COLOR BOND, OR APPROVED EQUIVALENT).
  2. ALL METAL ROOFING SHOULD BE FASTENED TO PURLINS BY METAL ROOF SCREWS W/ SEALING WASHER.

3 COMPOSTING BAYS PLAN VIEW  
NTS



1 COMPOSTING BAYS FRONT VIEW  
NTS

2 COMPOSTING BAYS SIDE VIEW  
NTS

DATE:	REVISION:

DRAWN BY:	B.R.
CHECKED BY:	B.R.
PROJECT MGR	



PROJECT:  
ENGINEERING DESIGNS FUNDED BY  
ANA GRANT "PIGS IN PARADISE"

SHEET TITLE:  
**ROOFING PLAN**

CLIENT:






SCALE:  
AS SHOWN

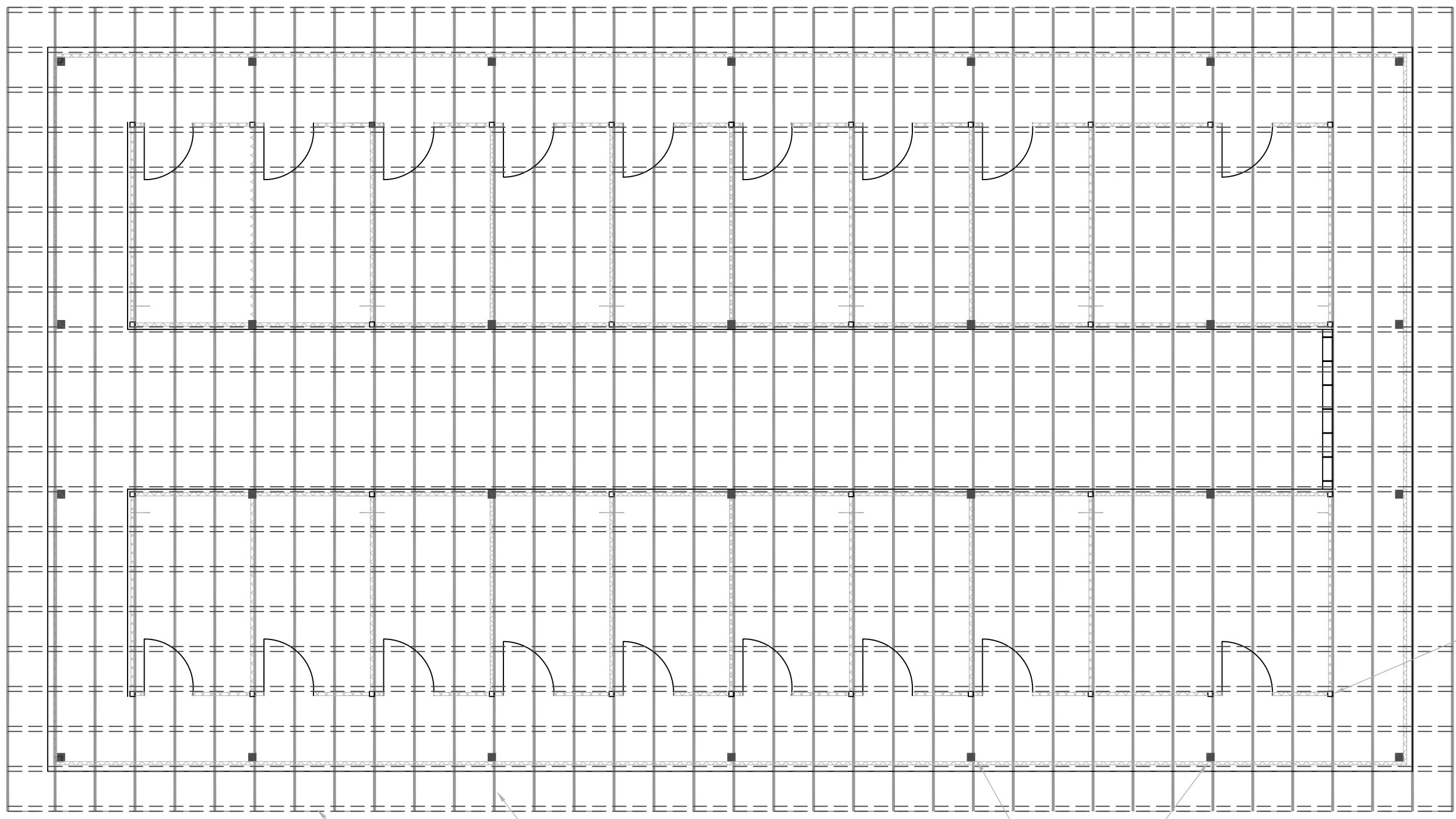
CASE NO.

DATE:

SHEET NO.

**LEGEND**

-  HOG PANNEL WALL
-  EDGE OF ROOF
-  3"x3" GALV. SQ TUBING
-  4"x4" GALV. SQ TUBING
-  WATER NIPPLE W/TEE ON HOG PANNEL (SEE DETAIL 3, SHEET 6)



2"x4" PULINS

2"x6" RAFTERS

RAIN GUTTER LINE  
(SEE DETAIL 1 SHEET 6)

4" SQ. GALV. POST  
(TYP. OF 28)

3" SQ. GALV. POST  
(TYP. OF 44)

**1** ROOFING PLAN DETAIL  
NTS

DATE:	REVISION:

DRAWN BY:	B.R.
CHECKED BY:	B.R.
PROJECT MGR:	



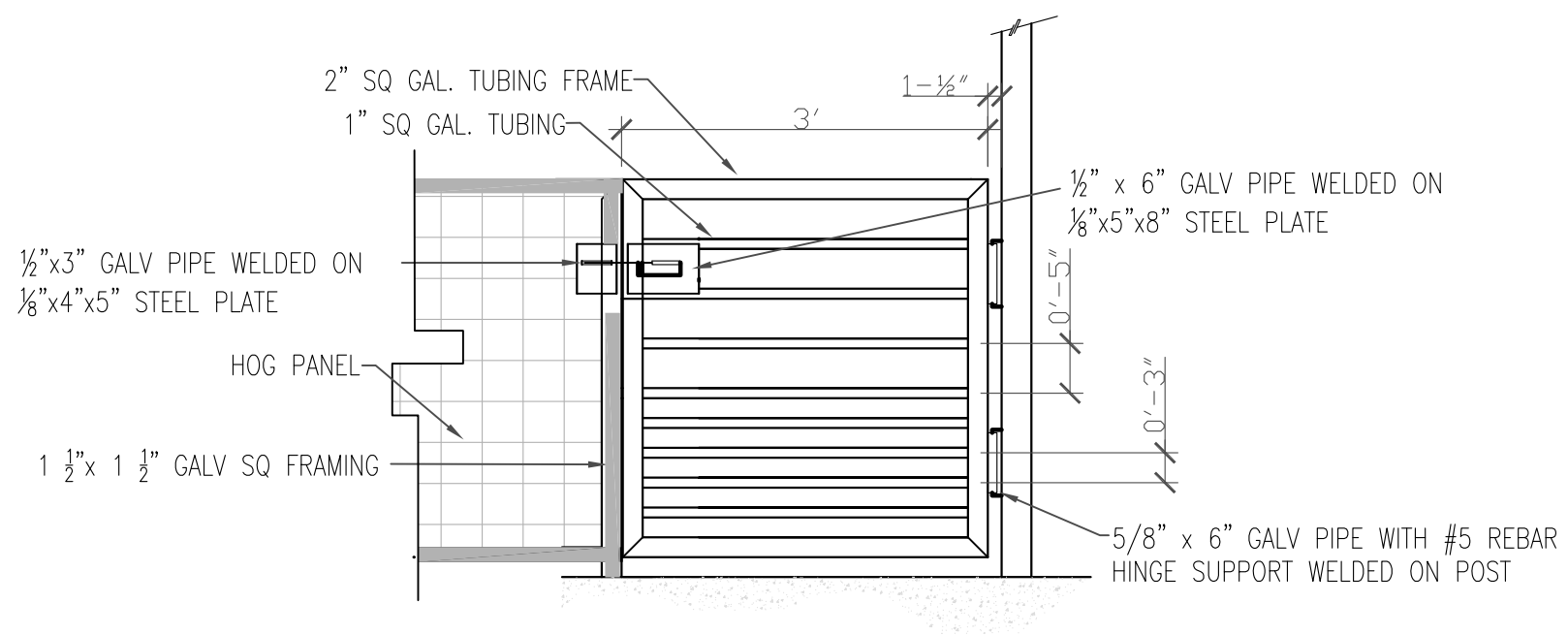
PROJECT:  
ENGINEERING DESIGNS FUNDED BY  
ANA GRANT "PIGS IN PARADISE"

SHEET TITLE:  
**DETAILS**

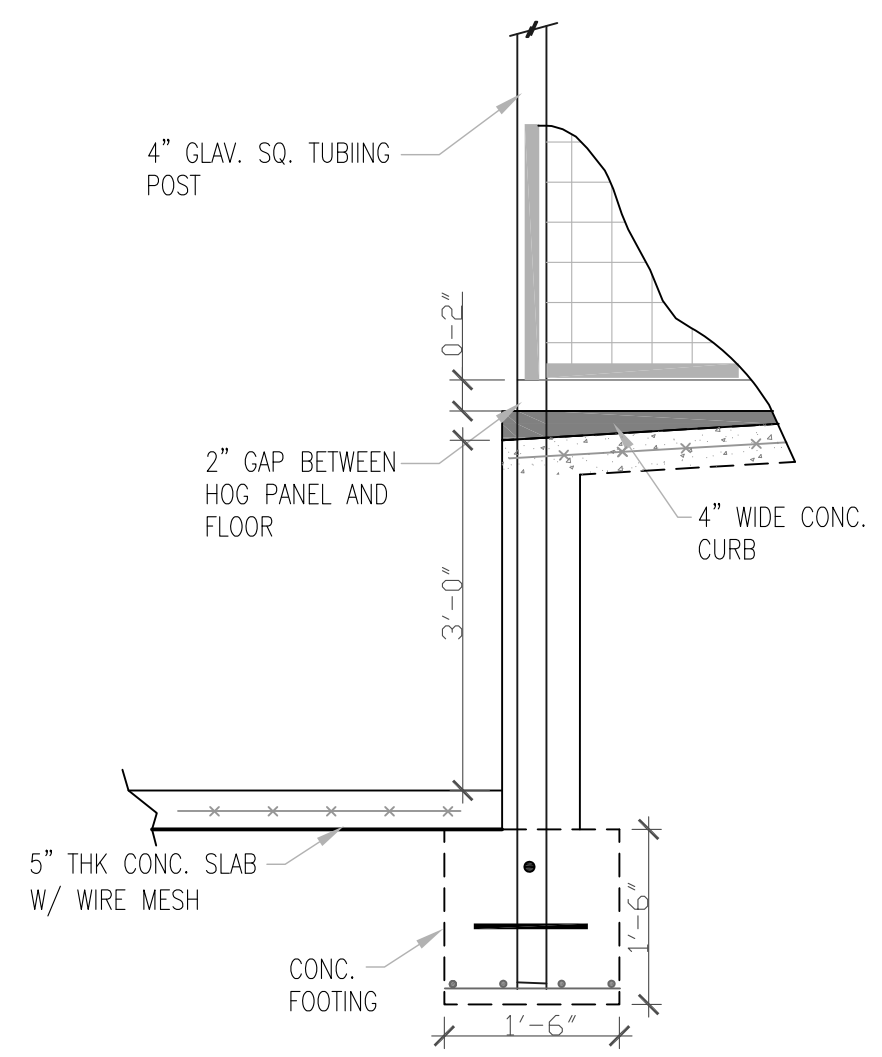
CLIENT:

SCALE:  
AS SHOWN  
CASE NO.

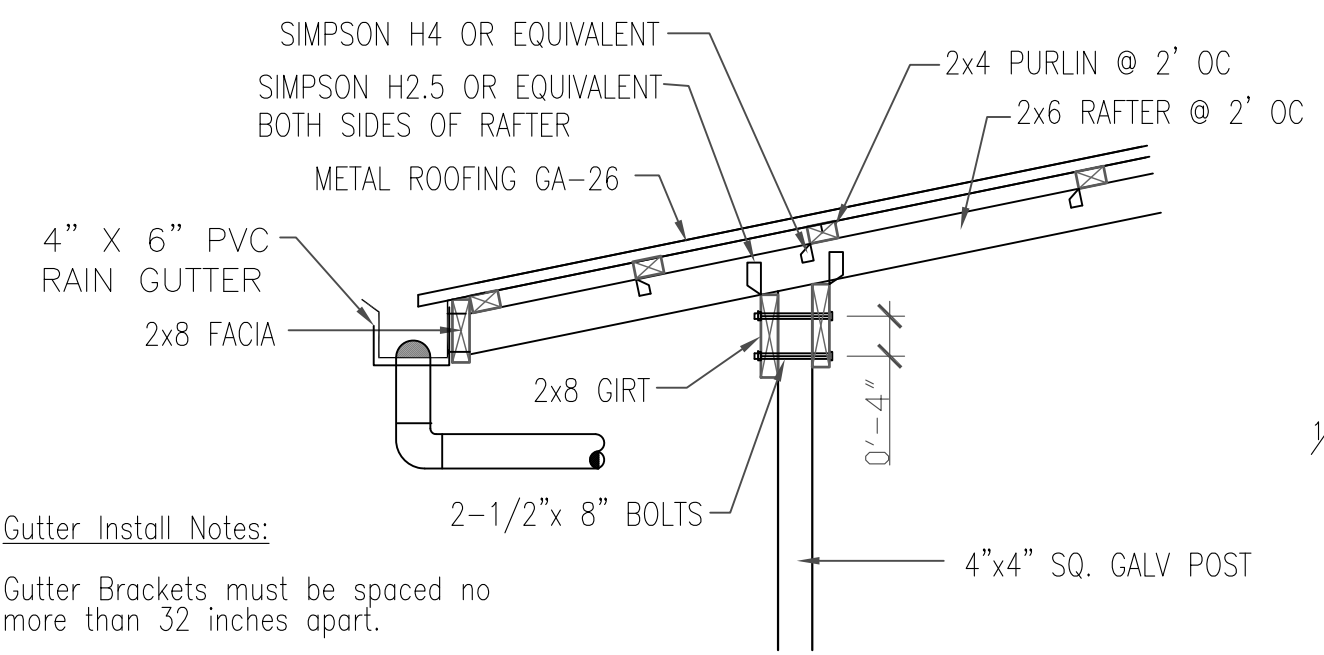
DATE:



**2 PEN GATE ASSEMBLY DETAIL**  
NTS

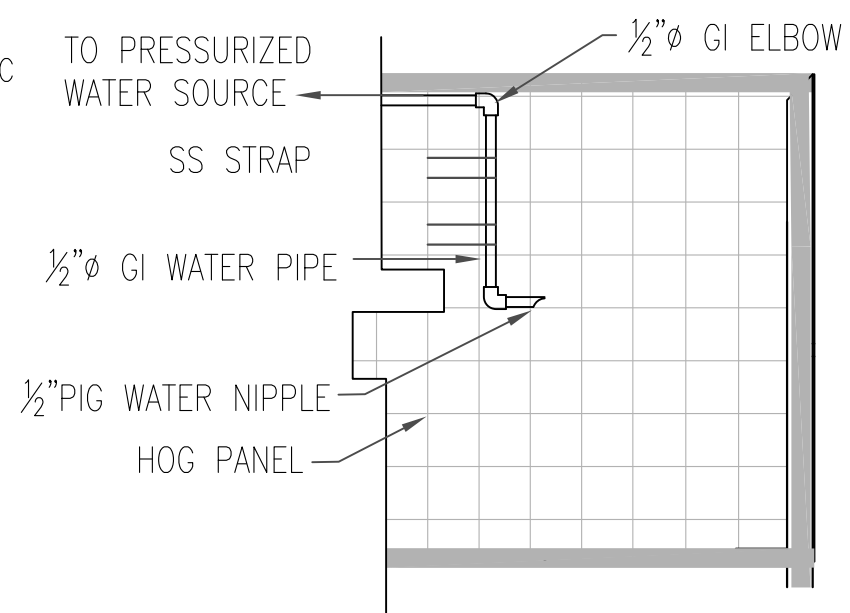


**4 DRY LITTER ALLEY CROSS-SECTION**  
NTS



**1 ROOFING & GUTTER DETAIL**  
NTS

Gutter Install Notes:  
Gutter Brackets must be spaced no more than 32 inches apart.  
Gutter must have a minimum slope of 1/16" per foot.



**3 PIG WATER NIPPLE DETAIL**  
1/2"=1'

TO PRESSURIZED WATER SOURCE  
SS STRAP  
1/2"Ø GI WATER PIPE  
1/2" PIG WATER NIPPLE  
HOG PANEL